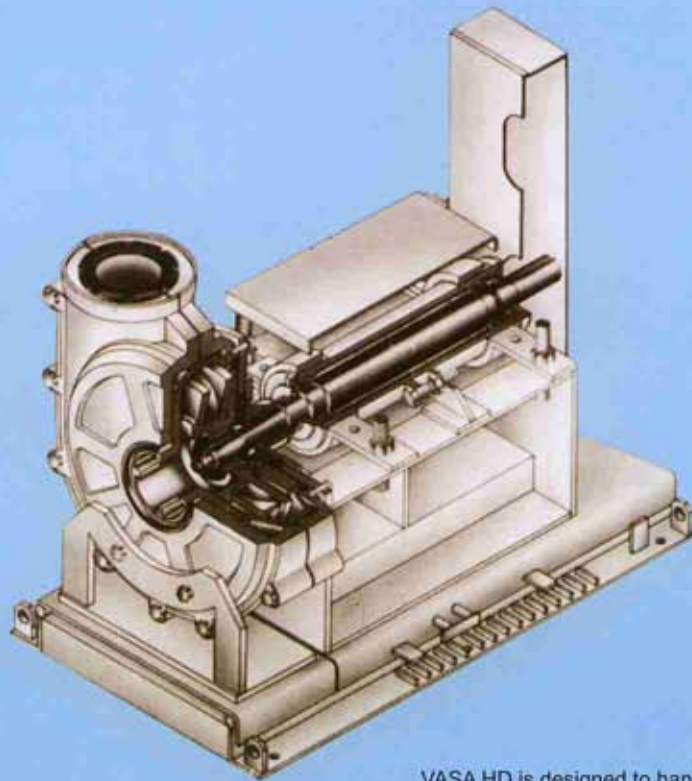


MBE SLURRY PUMP

Horizontal Pump Type VASA HD



VASA HD is designed to handle extremely abrasive slurries.

The new generation MBE Heavy Duty Pumps are designed to suit the toughest applications in the mining industry.

Low speed impeller and outstanding efficiency of MBE VASA HD Pumps means superb operating economy.

WEAR PARTS

Heavy duty liners in soft natural rubbers or Hi-chrome.
Synthetic rubber qualities by request.

SHAFT SEAL

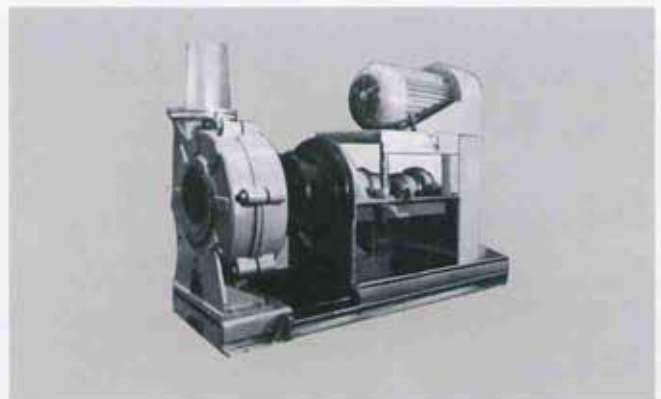
Standard double sealed stuffing box with alloyed shaft sleeve.
Optional Expeller Version available.

BEARING ASSEMBLY

Cartridge type with grease lubricated roller bearings, designed for more than 100,000 operating hours.

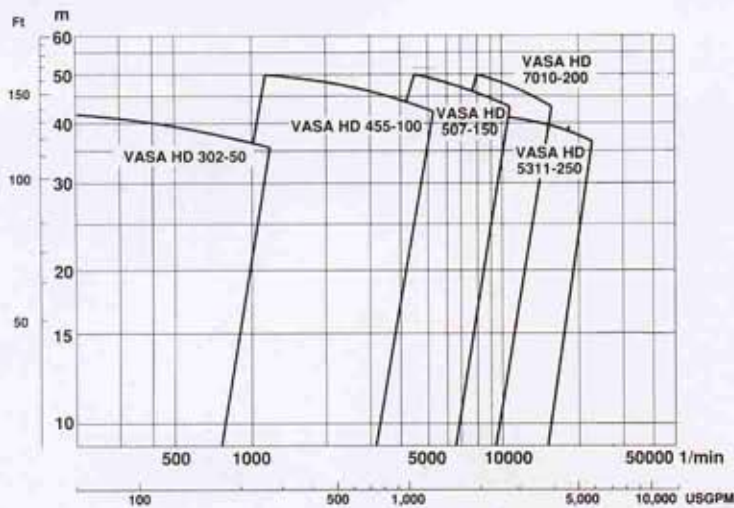
OVERHEAD MOTOR BED PLATE

Gives compact installation with extra motor protection and simple belt tensioning.



Back pull-out design for easy inspection of Casing Liners or change of Impeller and Gland Parts without disconnecting Flanges.

Selection of pump size



Motor size

Motor Size and V-belt drive varies with the pump application.

Necessary data for stating pump speed and motor power are:

Flow (m^3/hr)

Liquid density (kg/m^3)

Total discharge head (m, ft)

Definition of pump

VASA HD is the type designation where "HD" stands for Heavy Duty. The figures state the size according to the following:

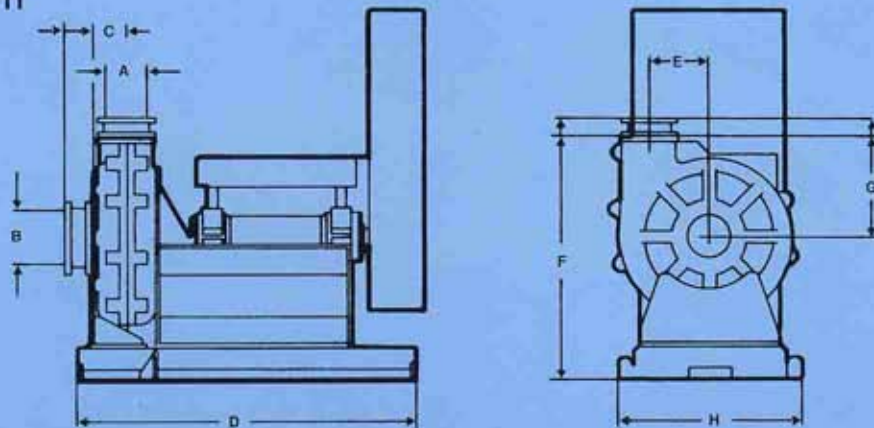
50 7 - 150

Impeller
dia
in cm

Height
of vanes
in cm

Discharge
connection
in mm

Dimension mm



Dimension given are approximate and subject to alteration without prior notice

Pump Size	Dis-charge	Inlet			D Max.	E	F	G	H	Max. motor kW	Weight excl. motor and drive, kg	
	A	B	C	D							Rubber	Ni-hard
VASA HD 302-50	50	63	121	465	**)	155	539	229	518	11	160	175
VASA HD 455-100	100	150	150	1460	1690	268	960	400	800	55	1020	1250
VASA HD 507-150	150	200	170	1720	2200	300	1220	500	980	160	1800	2000
VASA HD 7010-200	200	250	240	2000	2600	475	1615	655	1230	250	3200	4100
VASA HD 5311-250	250	300	336*)	1720	2200	350	1410*)	638*)	980	160	2100	2600

*Inlet and discharge adapter.

**Without sliding baseplate

D max. for pumps fully open

Dimension given are approximate and subject to alternations without prior notice.

mbe McNally Bharat
Engineering Co Limited

4 Mangoe Lane, 5th & 7th Floor, Kolkata 700001

Phones: 91-033-55500725-39/22138905-08/22480847/0919

Fax: 91-033-22480340/5016, E-mail: mbecal@mbecl.co.in

Bangalore : Plot No. 21A, Doddanekundi Industrial Area, 2nd Stage, Mahadevapura Post

Bangalore 560 048, Phone- +91-080-28541997/98, 41153781, Fax: +91-080-41153784

E-mail : mbe@mcnallyblr.com, pump@mcnallyblr.com, website : www.mcnallybharat.com